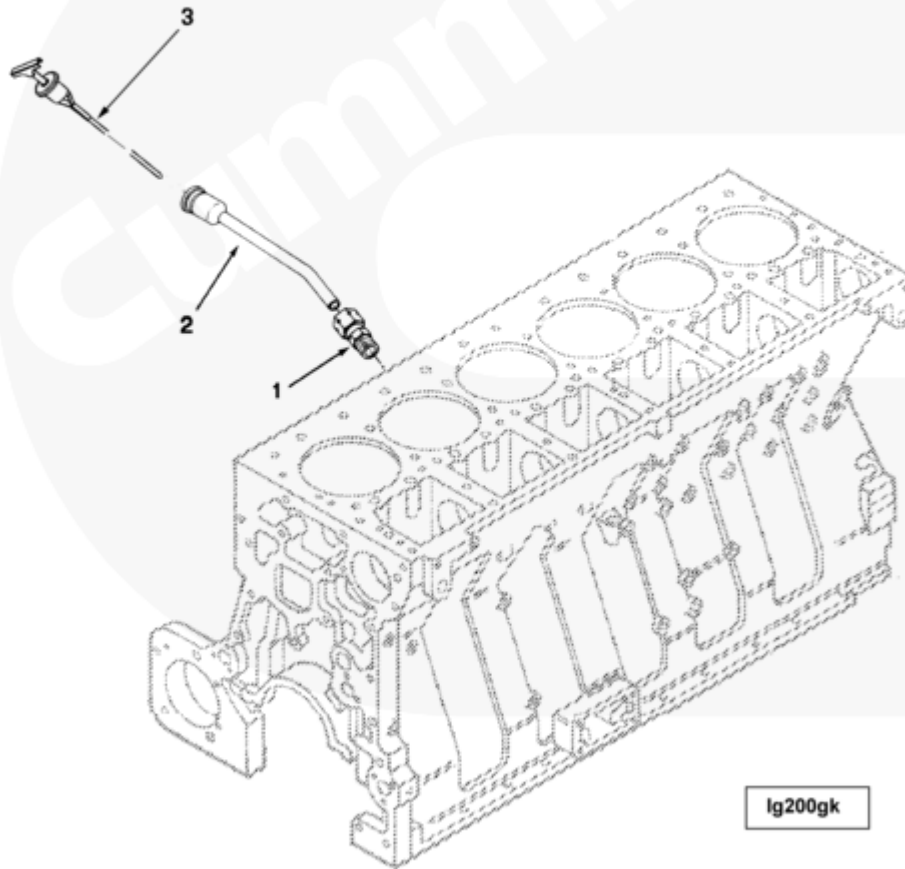




# Parts Catalog - Option Detail

Electronic Parts Catalog - Option Detail				
Option	Group	Graphic	Film Card	Date
LG2039-02	07.02	lg200gk	II	08-MAR-02
<b>Engines</b>	ISM CM570, ISM CM570/870, ISM CM875, ISM CM876, ISM CM876 E, ISM11 CM876 M103, ISM11 CM876 SN, M11 CELECT, M11 CELECT PLUS, M11 MECHANICAL, QSM11 CM570, QSM11 CM876			

©Cummins Inc



lg200gk

[SMALL](#) | [MEDIUM](#) | [LARGE](#)

Cart	Ref No	Part Number	Part Description	Required	Remarks
<a href="#">View My Cart</a>					
		<a href="#">LG2039-02</a>	Oil Level Gauge		

					Oil Level Gauge
					Dipstick Supplier: Cummins
					Dipstick Loc: Right Front
					Front HHC or Left Center
					Oil Pan Material: Aluminum
					Sump Loc: Rear or Front
					High Oil Pan Capacity: 30.28
					L (8.0 Gal)
					Low Oil Pan Capacity: 26.5 L
					(7.0 Gal)
					Dipstick: Blank, to be
					Marked After Installation
<input type="checkbox"/>	1	<a href="#">163759</a>	Tube Connector	1	Service replace ferrule
<input type="checkbox"/>	2	<a href="#">165658</a>	Oil Gauge Tube	1	
<input type="checkbox"/>	3	<a href="#">216476</a>	Dipstick	1	
		<a href="#">4003306</a>	Instruction Tag	1	